

Electric Control Ball Valve Actuator

Application:

Series SACRB ball valve actuator adopts bilateral control along with Series SRB Electric Control Ball Valve and series SDV Dynamic Balancing , the actuator can regulate the flow rate of cold or hot water. It is widely used in air conditioning, heating, water treatment and industrial processing systems to control the fluids.

Features:

- AC two-way synchronous motor
- Built-in switch has power-off function when in place, achieving longer service life
- Built-in switch allows limited adjustment
- Manual lever provides flexible switch operation
- Proportional control actuator can provide DC 0-10V feedback Signal
- The control signals of proportional, floating-point and on/off are optional

Operating Principles:

Used along with Series SRB Electric Control Ball Valve or Series SDV Electric Control Valve , through receiving BA system regulation signal (0-10V or 4-20mA) or a floating point signal to actuate valve to change flow area of the valve core and seat, control flow area of valve and achieve automatic adjustment.



Technical Specification:

Proportional Control Actuator:

Type	SACRB4-10	SACRB5-10	SACRB25-10	SACRB65-10
Voltage	24VAC	24VAC	24VAC	24VAC
Frequency	50/60 Hz	50/60 Hz	50/60 Hz	50/60 Hz
Power	4VA	4VA	5.5VA	11VA
Torque (Nm)	≥4	≥5	≥25	≥65
Operating time(0-90°)	45s	50s	121s	121s
IP Grade	IP54	IP54	IP54	IP54
Control Signal	0(2)-10VDC, 0(4)-20mA	0(2)-10VDC, 0(4)-20mA	0(2)-10VDC, 0(4)-20mA	0(2)-10VDC, 0(4)-20mA
Feedback	0-10VDC	0-10VDC	0-10VDC	0-10VDC
Upper Shell	Flame-retardant ABS Plastic	Flame-retardant ABS Plastic	Flame-retardant ABS Plastic	Flame-retardant ABS Plastic
Lower Shell	Die-casting Reinforced Nylon PA6-110	Die-casting Reinforced Nylon PA6-110	Die-casting Aluminum alloy	Die-casting Aluminum alloy

Three-point Floating Type:

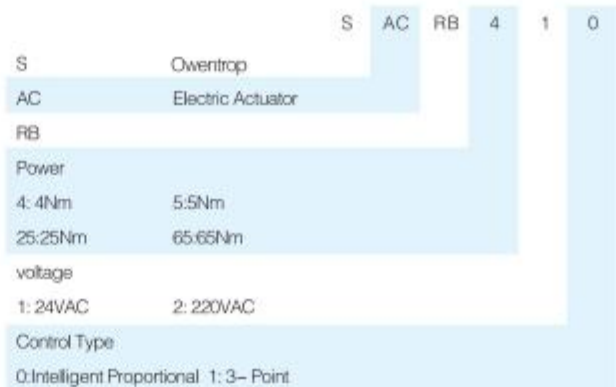
Type	SACRB4-1(2)1	SACRB5-1(2)1	SACRB25-1(2)1	SACRB65-1(2)1
Voltage	1:24VAC 2:220VAC	1:24VAC 2:220VAC	1:24VAC 2:220VAC	1: 24VAC 2: 220VAC
Operating	3-point /Feedback	3-point /Feedback	3-point /Feedback	3-point /Feedback
Frequency	50/60 Hz	50/60 Hz	50/60 Hz	50/60 Hz
Power	3VA	5VA	10VA	10VA
Torque (Nm)	≥4	≥5	≥25	≥65
Operating time (0-90°)	45s	50s	121s	121s
IP Grade	IP54	IP54	IP54	IP54
Control Signal	3-Point	3-Point	3-Point	3-Point
Upper shell	Flame-retardant ABS Plastic	Flame-retardant ABS Plastic	Flame-retardant ABS Plastic	Flame-retardant ABS Plastic
Lower Shell	Flame-retardant Reinforced Nylon PA6-110	Flame-retardant Reinforced Nylon PA6-110	Die-casting Aluminum Alloy	Die-casting Aluminum Alloy

Technical Parameter:

Product Type:

Type	Torque	Voltage	Regulating Type
SACRB4-11	4Nm	24VAC	Three-point / feedback
SACRB4-21	4Nm	220VAC	Three-point / feedback
SACRB4-10	4Nm	24VAC	Intelligent Proportional Control Actuator
SACRB5-11	5Nm	24VAC	Three-point / feedback
SACRB5-21	5Nm	220VAC	Three-point / feedback
SACRB5-10	5Nm	24VAC	Intelligent Proportional Control Actuator
SACRB25-11	25Nm	24VAC	Three-point / feedback
SACRB25-21	25Nm	220VAC	Three-point / feedback
SACRB25-10	25Nm	24VAC	Intelligent Proportional Control Actuator
SACRB65-11	65Nm	24VAC	Three-point / feedback
SACRB65-21	65Nm	220VAC	Three-point / feedback
SACRB65-10	65Nm	24VAC	Intelligent Proportional Control Actuator

Coding Rules:

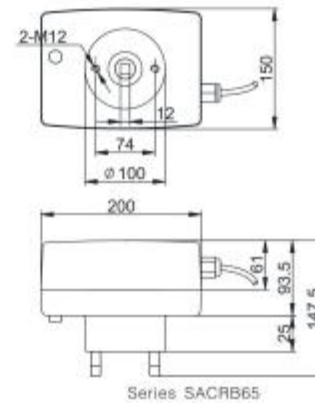
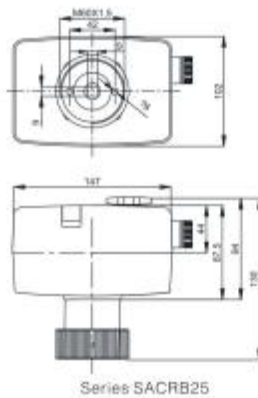
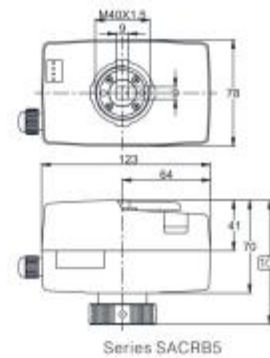
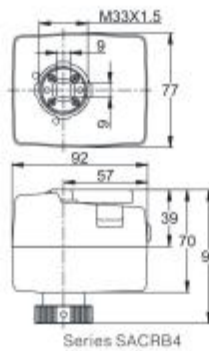


Electric Control Ball Valve Actuator

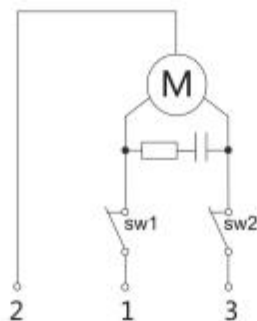
Installation:

Please install the valve in the direction indicated by the arrow on the valve body. The valve can be installed horizontally and vertically, but it should not be installed downwards. The connection of the valve body and valve's actuator is clearly illustrated in the instruction manual of the valve's actuator.

Installation Dimensions:(mm)

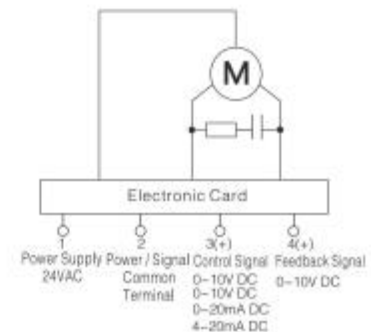


Wiring Diagram:



Power Supply Terminals	Direction of Rotation
1-2	↻
2-3	↻

Floating-point Control



Input Control Signal	RA	Direction of Rotation
Increase	Decrease	↻
Decrease	Increase	↻

Proportional Control