

● 性能规范 Technical Data

规格: DN50-900
公称压力: PN10/PN16
适用温度: -40-205°C
适用介质: 各种酸碱等腐蚀性介质。
Size: 2"-36"
Nominal Pressure: PN10/PN16
Working Temperature: -40-205°C
Suitable Medium: Various acid and alkali and other corrosive media.

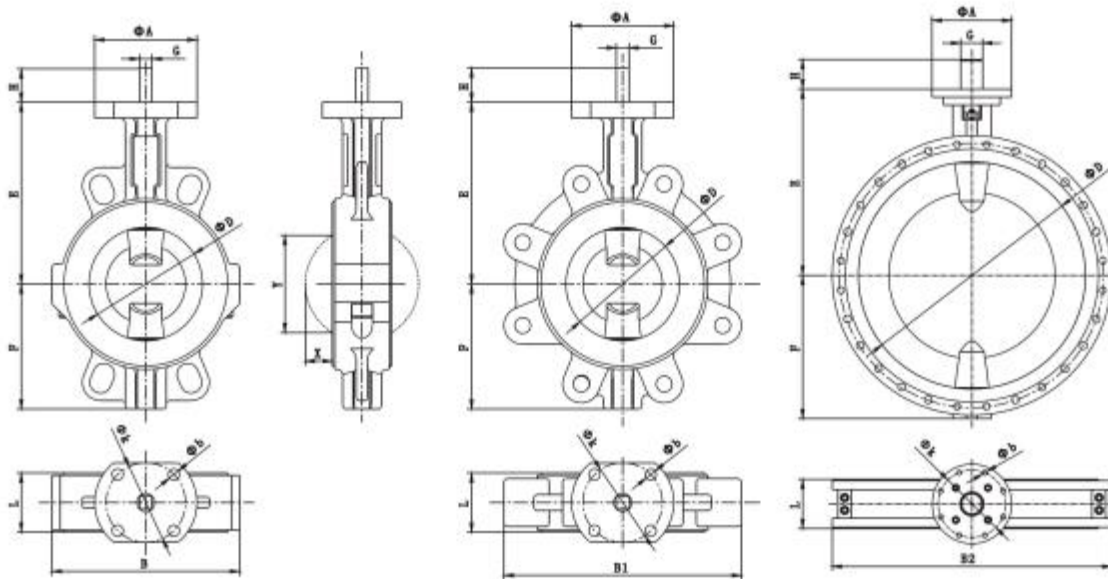
● 标准 Standard

设计标准: EN593
结构长度: EN558
法兰连接: EN1092-1/2
上法兰: ISO5211
测试标准: EN12266
Design standard: EN593
Face to Face: EN558
Flange connection: EN1092-1/2
Top Flange: ISO5211
Test Inspection: EN12266



● 主要零部件材质 Material of main parts

| 序号 No. | 名称 Item | 材质 Material | 标准 Symbol |
|--------|---------------|---------------------|----------------------|
| 1 | 阀体 Body | 铸铁 Cast iron | GG25 |
| | | 球铁 Ductile iron | GGG40 |
| | | 碳钢 Carbon steel | GE280 |
| | | 不锈钢 Stainless steel | 1.4408/1.4308 |
| 2 | 阀板 Disc | 碳钢 Carbon steel | GE280 |
| | | 不锈钢 Stainless steel | 1.4408/1.4308 |
| 3 | 轴 Shaft | 不锈钢 Stainless steel | 1.4301/1.4401/1.4406 |
| | | 合金 Alloy | 2.4360 |
| 4 | 阀座 Seat | 聚四氟乙烯 PTFE | -15-205°C |
| | | 四氟乙烯 PFA | -40-200°C |
| 5 | 轴套 Bushing | 聚四氟乙烯 PTFE | |
| | | 青铜 Bronze | |



● 外形尺寸 Overall Dimension

| DN (mm) | Size (inch) | D | E | F | H | L | A | k | b | G | X | Y | B | B1 | B2 |
|---------|-------------|-----|-----|-----|-----|-----|-----|-----|------|----|-----|-----|-----|-----|------|
| 50 | 2 | 50 | 134 | 68 | 30 | 43 | 90 | 70 | 4x9 | 11 | 4 | 26 | 120 | 160 | - |
| 65 | 2 1/2 | 65 | 145 | 78 | 30 | 46 | 90 | 70 | 4x9 | 11 | 10 | 46 | 130 | 176 | - |
| 80 | 3 | 80 | 150 | 80 | 30 | 46 | 90 | 70 | 4x9 | 11 | 16 | 64 | 135 | 188 | - |
| 100 | 4 | 100 | 160 | 110 | 30 | 52 | 90 | 70 | 4x9 | 11 | 24 | 85 | 165 | 210 | - |
| 125 | 5 | 125 | 175 | 130 | 30 | 56 | 90 | 70 | 4x9 | 14 | 35 | 112 | 195 | 234 | - |
| 150 | 6 | 150 | 195 | 140 | 30 | 56 | 90 | 70 | 4x9 | 14 | 47 | 139 | 225 | 269 | - |
| 200 | 8 | 200 | 235 | 175 | 30 | 60 | 125 | 102 | 4x11 | 17 | 70 | 191 | 280 | 360 | - |
| 250 | 10 | 250 | 275 | 215 | 30 | 68 | 125 | 102 | 4x11 | 22 | 91 | 241 | 330 | 435 | - |
| 300 | 12 | 300 | 310 | 250 | 30 | 78 | 150 | 125 | 4x14 | 22 | 111 | 290 | 380 | 500 | - |
| 350 | 14 | 350 | 350 | 255 | 35 | 78 | 150 | 125 | 4x14 | 27 | 131 | 330 | 425 | 564 | - |
| 400 | 16 | 400 | 380 | 285 | 35 | 102 | 150 | 125 | 4x18 | 27 | 149 | 387 | 470 | 620 | - |
| 450 | 18 | 450 | 425 | 320 | 65 | 114 | 175 | 140 | 4x18 | 48 | 168 | 436 | 520 | - | 630 |
| 500 | 20 | 500 | 450 | 360 | 65 | 127 | 175 | 140 | 4x18 | 48 | 187 | 484 | 580 | - | 700 |
| 600 | 24 | 600 | 555 | 415 | 80 | 154 | 210 | 165 | 4x22 | 60 | 223 | 580 | 680 | - | 820 |
| 700 | 28 | 700 | 605 | 480 | 80 | 165 | 210 | 165 | 4x22 | 72 | 269 | 684 | - | - | 930 |
| 750 | 30 | 750 | 630 | 490 | 80 | 190 | 210 | 165 | 4x22 | 72 | 280 | 726 | - | - | 970 |
| 800 | 32 | 800 | 660 | 550 | 110 | 190 | 300 | 254 | 8x18 | 80 | 307 | 781 | - | - | 1060 |
| 900 | 36 | 900 | 710 | 600 | 130 | 203 | 350 | 298 | 8x22 | 98 | 349 | 877 | - | - | 1160 |

法兰连接尺寸符合EN1092-1/2, 也可根据用户需要满足其他不同的标准。

Flange connection EN1092-1/2, the specific dimensions for different standards are available in need.